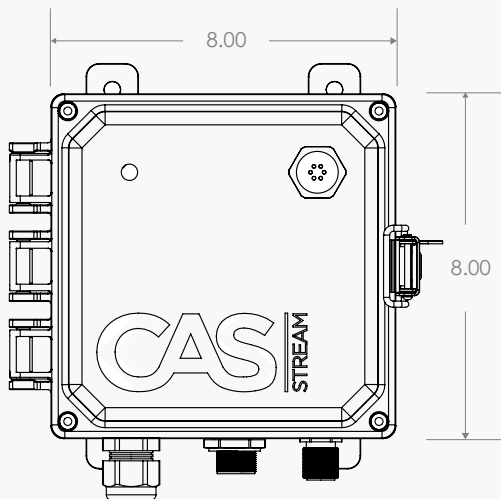


CAS STREAM w/ AIRPLAY

The CAS Stream w/ Airplay features an Apple Airport Express®. This system is designed for use in direct burial applications as an AirPlay streamer for a CAS amp or Line-In Turtle.

NOTE: CAS should always be installed in a shady area.



CAS STREAM w/ AIRPLAY SPECIFICATIONS

Size (H x W x D): 8in x 8in x 5in

Weight: 3.35 lbs

Construction: Polycarbonate & Stainless Steel

Power In: 120VAC

Ethernet In: RJ45

Line-Out: Female 5P Connector

Wireless Protocol: Apple Airplay

Mounting: In-Ground & Wall Mount

Warranty: 2-Year Limited Warranty

ORDERING INFORMATION


FIXTURE

CASSTRM-AP (CAS STREAM W/ AIRPLAY)

CASSTRM-AP

e.g. **CASSTRM-AP** = CAS Stream w/ Airplay

ACCESSORIES

SKU	ITEM	
PS300GT-24V	24V DC Power Supply - 300W	
CxxLL5P	5-Pin Line Level Extension Cables	