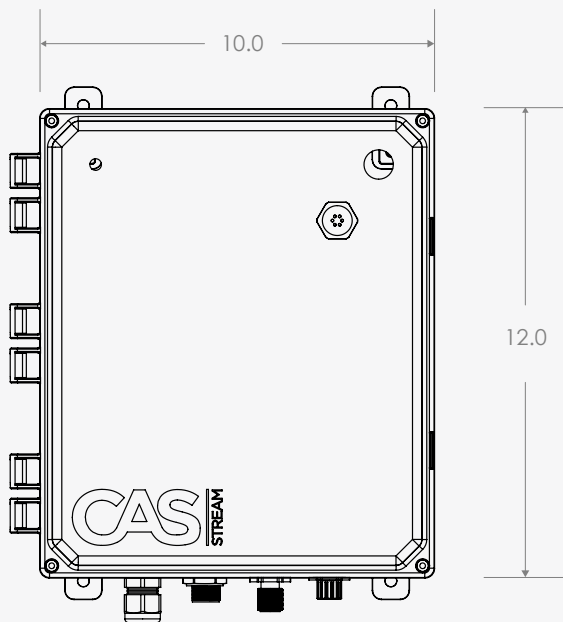


CAS STREAM FOR SONOS CONNECT

The CAS Stream Ready for SONOS Connect features a Sonos Connect mounting bracket to allow dealers to easily install their own Sonos Connect. This system is designed for use in direct burial applications as a Sonos streamer for a CAS amp or Line-In Turtle.

NOTE: CAS should always be installed in a shady area, and SONOS devices require shade in order to operate properly.



CAS STREAM READY FOR SONOS CONNECT SPECIFICATIONS

Size (H x W x D): 12in x 10in x 7in

Weight: 7.15 lbs

Construction: Polycarbonate & Stainless Steel

Power In: 120VAC

Ethernet In: RJ45

Line-In: Male 5P Connector

Line-Out: Female 5P Connector

Wireless Protocol: Sonos (Sonos Connect sold separately)

Mounting: In-Ground & Wall Mount

Warranty: 2-Year Limited Warranty

ORDERING INFORMATION


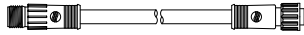
FIXTURE

CASSTRM-SCR (CAS STREAM READY FOR SONOS CONNECT)

CASSTRM-SCR

e.g. **CASSTRM-SCR** = CAS Stream Ready for SONOS Connect

ACCESSORIES

SKU	ITEM	
PS300GN	15V DC Power Supply - 300W	
CxxLL5P	5-Pin Line Level Extension Cables	
SONOSCONAMP	Sonos Connect Amp	