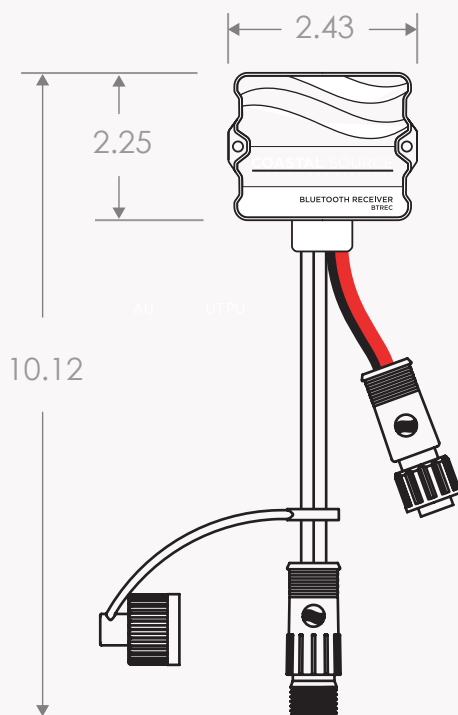


# CAS STREAM w/ BLUETOOTH

*The CAS Stream w/ Bluetooth* features an high quality Bluetooth 4.1 receiver. This system is designed for use in wall mounted applications as a Bluetooth streamer for small CAS amp based systems.

*NOTE: Bluetooth requires line of sight to operate effectively and has a range of 33'.*



BLACK



## CAS STREAM W/ BLUETOOTH SPECIFICATIONS

Size of Unit (L x W): 2.25in x 2.43in

Size with Cables (L x W): 10.12 in x 2.43in

Weight: 0.15 lbs

Construction: UV Resistant ABS

Power In: 15-24VDC (not included)

Mounting: Wall / Post Mount with adhesive back or screws (not included)

Line-Out: Female 5P Connector

Wireless Protocol: Bluetooth 4.1

Warranty: 2-Year Limited Warranty

# ORDERING INFORMATION

## FIXTURE

**CASSTRM-BT** (CAS STREAM W/ BLUETOOTH)

---

---

---



---

---

**CASSTRM-BT**

e.g. **CASSTRM-BT** = CAS Stream w/ Bluetooth

# ACCESSORIES

SKU	ITEM	
PS300GT-24V	24V DC Power Supply - 300W	
PS300GN	15V DC Power Supply - 300W	
CxxLL5P	5-Pin Line Level Extension Cables	