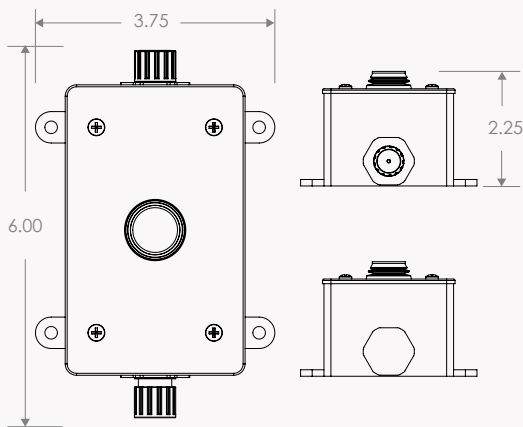
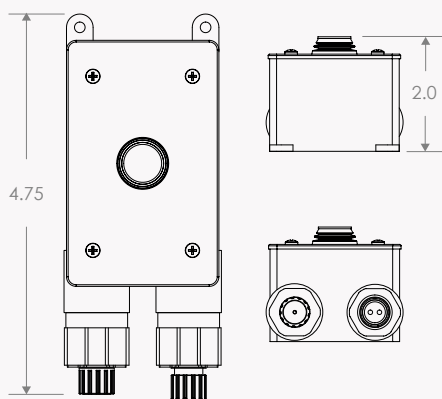


IN-LINE SWITCH

The In-Line Switch is made in-house of a non-metallic waterproof box, illuminated rocker switch, and CC inputs and outputs.



Input Bottom/Output Top - INSWT-IBOT



Input/Output Bottom - INSWT-IOB



Input/Output Bottom



Input Bottom/Output Top

IN-LINE SWITCH SPECIFICATIONS

Size INSWT-IBOT: 2.25in (H) x 3.75in (W) x 6.0in (D)

Size INSWT-IOB: 2.25in (H) x 3.75in (W) x 6.0in (D)

Weight INSWT-IBOT: 0.55 lbs

Weight INSWT-IOB: 0.65 lbs

Construction: Plastic

Voltage: 15VADC

Finish: White & Grey

Mounting: Wall or Post

Warranty: 2-Year Limited Warranty

ORDERING INFORMATION

FIXTURE

INSWT-IBOT (INPUT BOTTOM/OUTPUT TOP)

INSWT-IOB (INPUT/OUTPUT BOTTOM)

INSWT-IOB

e.g. **INSWT-IOB** = In-Line Switch, Input/Output Bottom

COMPATIBLE PRODUCTS

SKU

ITEM

*Lifetime Warranty for certified installations. See terms and conditions of sale for details.