

# NICHE HANGING LIGHT

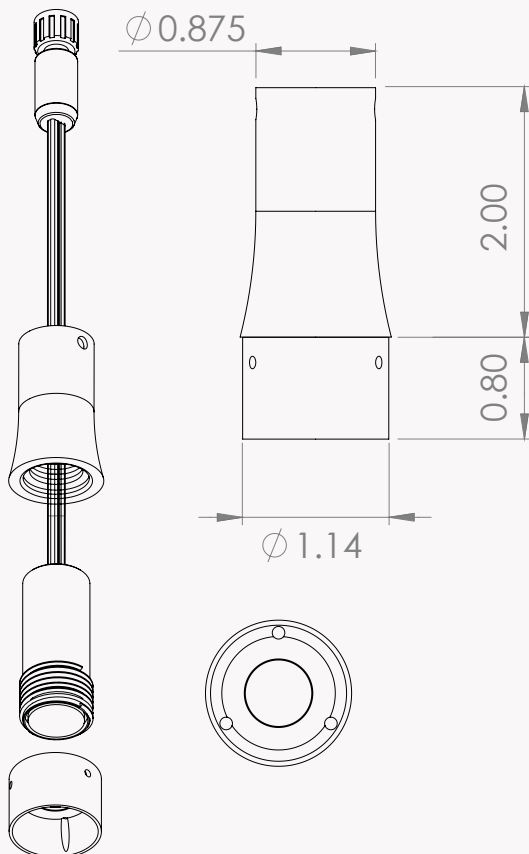
*The Niche Hanging Light* is an incredibly useful and flexible micro size series of fixtures that serve many desirable applications. Our LED module with CMC cable is the core of this line, with six different trim styles and multiple finishes make this the most versatile fixture line in the market.

Design it into places where discrete lighting is required and where conventional fixtures would be out of place, too bright and intrusive.

The Coastal Source Niche Light family: Small, Beautiful and Effective!



VINTAGE



## NICHE HANGING LIGHT SPECIFICATIONS

**Size:** 2.30in (L) x 1.14in (Ø)

**Weight:** 3.6 oz

**Construction:** Solid Brass

**Voltage:** 10-18V

**Finish:** Vintage Brass

**Shroud:** 360° Shroud with Gasket

**Lamp:** LED Module

**Wattage:** 3 Watts (120lm)

**Color Temperature:** 2700K, 3000K

**Lens:** 30° lens (installed)

Clear & Frosted flat lenses also included


**Fixture Connector:** CMC Male Direct Connector

**Wiring:** 18" CMC Pigtail w/18AWG Zipcord (included)

**Warranty:** LED Module (5-Years)

Cable & Brass Parts (Lifetime\*)

# ORDERING INFORMATION

FIXTURE	COLOR TEMPERATURE	FINISH
<b>NCHHNG</b> (NICHE HANGING LIGHT)	<b>2.7K</b> (2700K)	<b>VB</b> (VINTAGE BRASS) 
	<b>3K</b> (3000K)	

**NCHHNG** — **2.7K** — **VB** e.g. **NCHHNG2.7KVB** = 2700K, Vintage Brass Niche Hanging Light

## ACCESSORIES

SKU	ITEM

\*Lifetime Warranty for certified installations. See terms and conditions of sale for details.