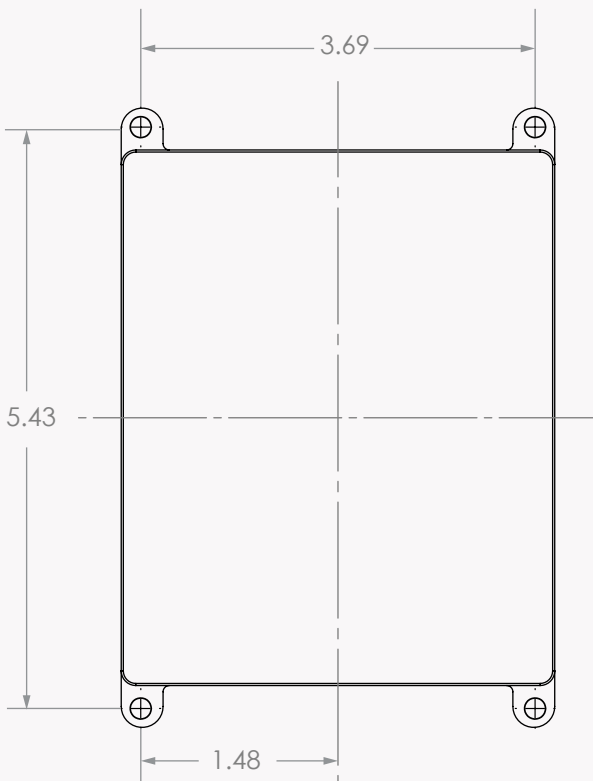


SAS-1 WIRELESS AMPLIFIER

The SAS-1 Wireless Amplifier is a 100W (50Wx2) stereo amplifier with wireless connectivity. Simply add a 150W DC Power Supply and 2-4 satellite speakers and you have a complete outdoor audio system that installs in just a few minutes. This system is designed for use in small areas that demand moderate listening volumes and simple wireless connectivity with 2-4 speakers. Installing in a cabinet? Purchase the remote antenna to maintain line-of-sight wireless transmission.



SAS-1 WIRELESS AMPLIFIER SPECIFICATIONS

Size (H x W x D): 4in x 6.5in x 1in

Weight: 1.15 lbs

Construction: Anodized Aluminum Enclosure

Finish: Graphite

Power In: 100W 24VDC

Power Out: 100W (50W + 50W)

Max Speakers: 4

Frequency Response: 20Hz - 20kHz (+/- 3dB)

Impedance: 8 ohms - 4 ohms minimum

Bluetooth System: Bluetooth V4.0

Frequency Range: 2.40GHz - 2.4832GHz (ISM Band)

Transmit Power: +8 dBm MAX, Class 1

Range: 33ft (10m); may be much further with clear line of sight

Warranty: 2-Year Limited Warranty

ORDERING INFORMATION



FIXTURE

SAS1BA (SAS-1 WIRELESS AMPLIFIER)

SAS1BA

e.g. **SAS1BA** = SAS-1 Wireless Amplifier

ACCESSORIES

SKU	ITEM	
PS300GT-24V	24V DC Power Supply - 300W	
RSC6.5xx-40HM	6.5" Rock Speaker	
SASANTW	SAS-1 Remote Antenna	