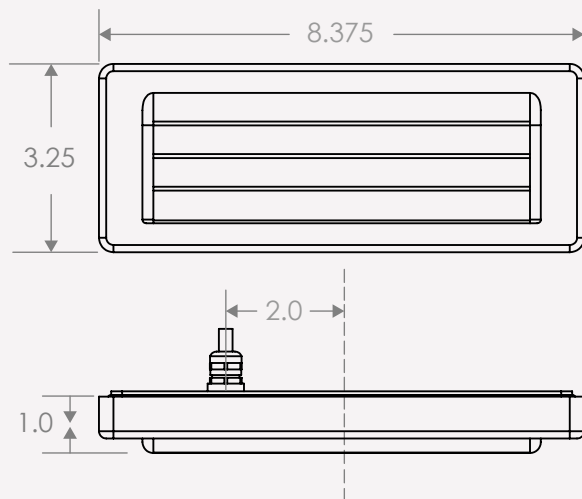


STEP LIGHT (SPECIALTY FINISHES)

The Step Light offers excellent low level illumination along walls, steps and other vertical surfaces. The step light allows for 3.5 watts of LED power to increase both the safety and beauty of your installation. Coastal Source step lights utilize the patented Coastal Connector™ system for easy installment and long life.

Note: Protrusion is about 3/4" ...please see 'Step Light Recess Mount' if you want an almost-flush profile!



STEP LIGHT SPECIFICATIONS

Size (H x W): 3.25in x 8.375in

Weight: 2.5 lbs

Construction: Solid Brass

Finish: Beaded, White, Nickel

Lamp: Replaceable LED Module

Wattage: 3.5 Watts (200lm)

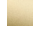

Mounting: Surface Mount

Fixture Connector: CMC Male Direct Connector

Wiring: 5' CMC Cable (included)


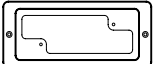
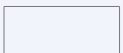
Warranty: 5-Year Limited Warranty*

ORDERING INFORMATION

FIXTURE	COLOR TEMPERATURE	FINISH
SLML (STEP LIGHT)	2.7K (2700K)	BR (BEADED BRASS) 
	3K (3000K)	WT (WHITE) 
		NI (NICKEL) 

SLML — 2.7K — BR e.g. **SLML2.7KBR** = 2700K, Beaded Brass Step Light

ACCESSORIES

SKU	ITEM	
STEPBPxx	Step Light Back Plate	
SLRMxx	Step Light Recess Mount	
LRFLTR-SL	Light Reducing Filter	

*Lifetime Warranty for certified installations. See terms and conditions of sale for details.